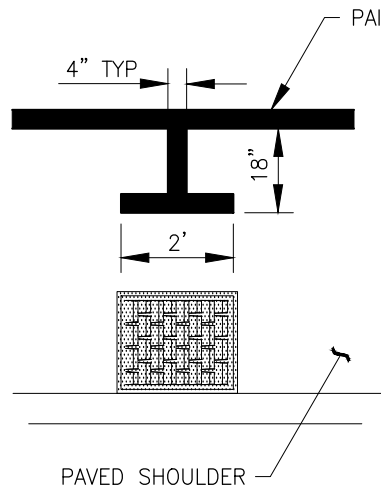
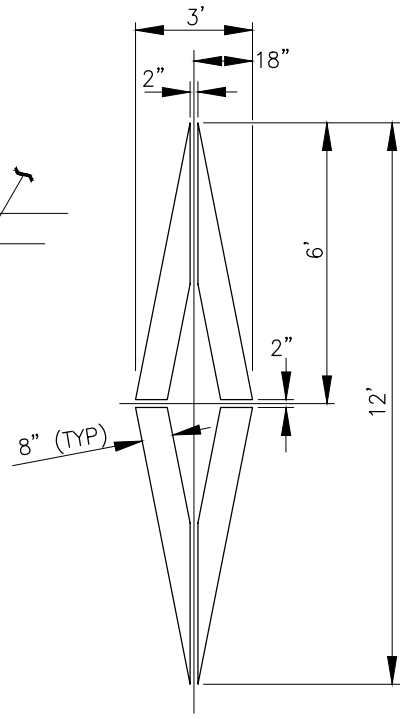


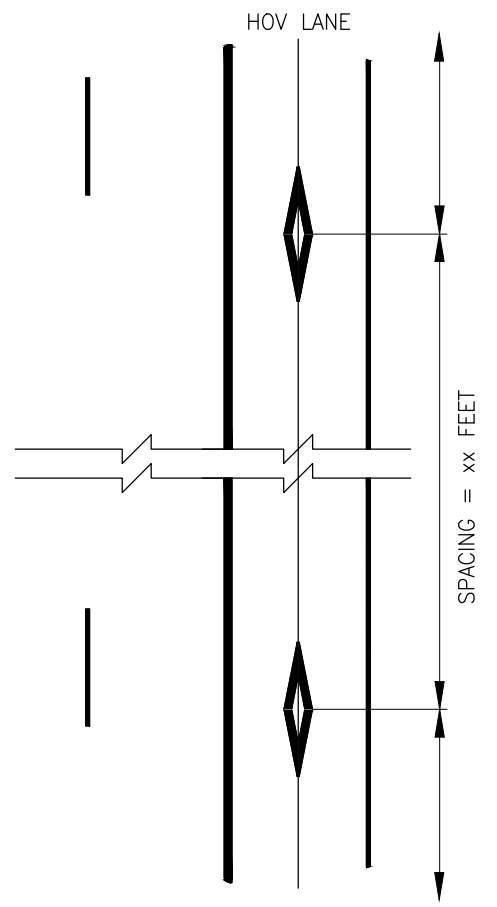
CROSS CULVERT MARKING



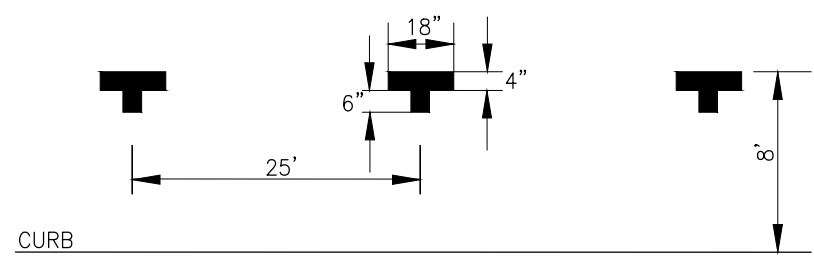
DRAINAGE MARKING



HOV LANE SYMBOL



HOV LANE LAYOUT



ON STREET PARKING MARKINGS

NOTES:

1. ALL PAVEMENT MARKINGS SHALL BE PRE-FORMED TYPE B HEAT FUSED THERMOPLASTIC (125 MILS.).
2. ALL CHANNELIZATION (OR PAVEMENT MARKINGS) SHALL BE LAID OUT WITH SPRAY PAINT AND APPROVED BEFORE FINAL INSTALLATION. APPROVALS SHALL REQUIRE ADVANCE NOTICE OF THREE WORKING DAYS TO HAVE FIELD LAYOUT APPROVED.

NOT TO SCALE



CITY OF DES MOINES
PUBLIC WORKS DEPARTMENT
ENGINEERING SERVICES
21650 11TH AVENUE SOUTH
DES MOINES, IA 50319



PAVEMENT MARKINGS

DM.F2.6

REVISED: 02/23